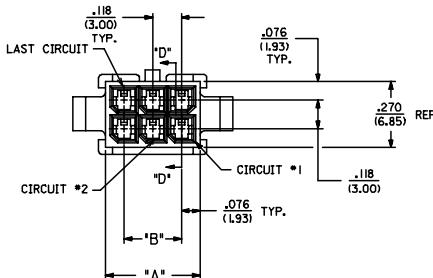
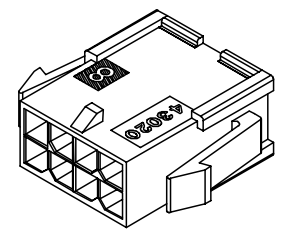


| ASSEMBLY ITEM NUMBER | PART CHARACTERISTICS |                    |
|----------------------|----------------------|--------------------|
|                      | NUMBER OF POSITION   | PANEL MOUNT OPTION |
| 43020-0200           | 02                   | YES                |
| 43020-0201           | 02                   | NO                 |
| 43020-0400           | 04                   | YES                |
| 43020-0401           | 04                   | NO                 |
| 43020-0600           | 06                   | YES                |
| 43020-0601           | 06                   | NO                 |
| 43020-0800           | 08                   | YES                |
| 43020-0801           | 08                   | NO                 |
| 43020-1000           | 10                   | YES                |
| 43020-1001           | 10                   | NO                 |
| 43020-1200           | 12                   | YES                |
| 43020-1201           | 12                   | NO                 |
| 43020-1400           | 14                   | YES                |
| 43020-1401           | 14                   | NO                 |
| 43020-1600           | 16                   | YES                |
| 43020-1601           | 16                   | NO                 |
| 43020-1800           | 18                   | YES                |
| 43020-1801           | 18                   | NO                 |
| 43020-2000           | 20                   | YES                |
| 43020-2001           | 20                   | NO                 |
| 43020-2200           | 22                   | YES                |
| 43020-2201           | 22                   | NO                 |
| 43020-2400           | 24                   | YES                |
| 43020-2401           | 24                   | NO                 |

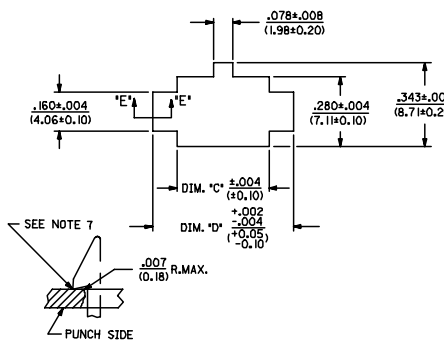
| CKT. NO. | DIM. 'A'      | DIM. 'B'      | DIM. 'C'      | DIM. 'D'      |
|----------|---------------|---------------|---------------|---------------|
| 2        | .152/(3.86)   | N/A           | .166/(4.21)   | .311/(7.90)   |
| 4        | .270/(6.85)   | .118/(3.00)   | .284/(7.21)   | .429/(10.90)  |
| 6        | .388/(9.85)   | .236/(6.00)   | .402/(10.21)  | .547/(13.89)  |
| 8        | .506/(12.85)  | .354/(9.00)   | .520/(13.21)  | .665/(16.89)  |
| 10       | .624/(15.85)  | .472/(12.00)  | .638/(16.21)  | .783/(19.89)  |
| 12       | .742/(18.85)  | .591/(15.00)  | .756/(19.21)  | .901/(22.89)  |
| 14       | .860/(21.85)  | .709/(18.00)  | .874/(22.20)  | 1.019/(25.88) |
| 16       | .978/(24.85)  | .827/(21.00)  | .992/(25.20)  | 1.137/(28.88) |
| 18       | 1.096/(27.85) | .945/(24.00)  | 1.110/(28.20) | 1.255/(31.88) |
| 20       | 1.215/(30.85) | 1.063/(27.00) | 1.229/(31.22) | 1.373/(34.87) |
| 22       | 1.333/(33.85) | 1.181/(30.00) | 1.347/(34.22) | 1.491/(37.87) |
| 24       | 1.451/(36.85) | 1.299/(33.00) | 1.465/(37.22) | 1.609/(40.87) |



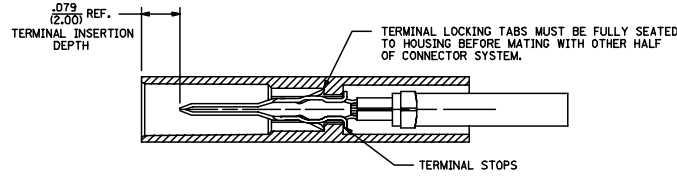
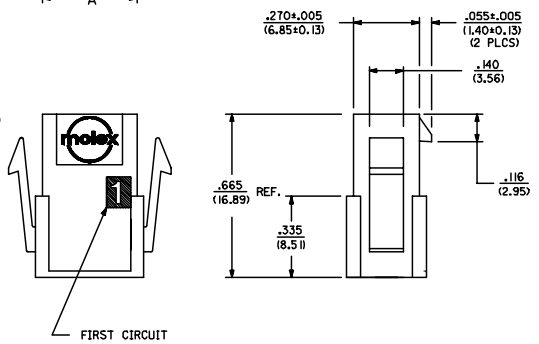
- NOTES:
- 1) HOUSING MATERIAL: UNFILLED POLYESTER (PBT), UL 94V-0  
COLOR - BLACK
  - 2) PRODUCT SPECIFICATION: PS-43045
  - 3) THIS HOUSING MATES WITH MICRO-FIT RECEPTACLE #43025-\*\*\*\*\*
  - 4) THIS HOUSING TO BE USED WITH MOLEX MALE TERMINAL #43031-\*\*\*\*\*
  - 5) DESIGNED FOR .055(1.4) MINIMUM TO A .100(2.54) MAXIMUM THICK PANEL OR PRINTED CIRCUIT BOARD.
  - 6) SEE SECTION "D"-D" FOR TERMINAL ORIENTATION IN HOUSING.
  - 7) PANEL MOUNT FEATURES MUST LOCK ON SIDE OPPOSITE PUNCH SIDE FOR OPTIMUM RETENTION.



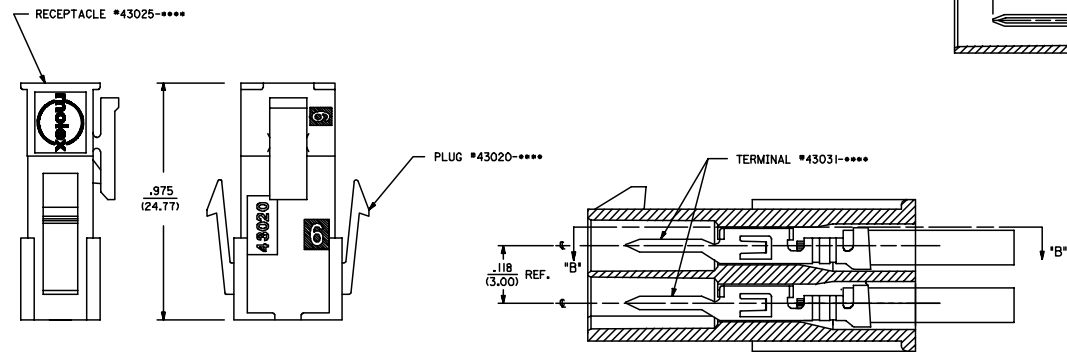
PLUG WITH OPTIONAL PANEL MOUNTS  
ISO VIEW  
(8 CIRCUIT SHOWN)



SECTION "E"-E"  
(NO SCALE)  
RECOMMENDED PANEL CUT-OUT



SECTION "B"-B"



MATED MICRO-FIT CONNECTOR

SECTION "D"-D"  
WITH TERMINAL  
SCALE 8X

|  |                                       |   |                    |  |                        |
|--|---------------------------------------|---|--------------------|--|------------------------|
| QUALITY SYMBOLS<br>▽=0<br>▽=0                        | GENERAL TOLERANCES (UNLESS SPECIFIED) | DIMENSION STYLE   | SCALE              | DESIGN UNITS   | THIRD ANGLE PROJECTION |
|  |                                       | IN/MM   | 4:1                | METRIC   |                        |
|  | 4 PLACES ± --- ± ---                  | DRAWN BY  | DATE               | TITLE  |                        |
|  | 3 PLACES ± --- ± .010                 | AFG   | 1993/01/07         | MICRO-FIT(3.0) 2 THRU 24 CIRCUIT PLUG WITH OPTIONAL PANEL MOUNTS |                        |
| 2 PLACES ± 0.25 ± .014                               | CHECKED BY                            | DATE  | MOLEX INCORPORATED |  |                        |
| 1 PLACE ± 0.35 ± ---                                 | BAP                                   | 1993/01/07  |                    |  |                        |
| ANGULAR ±1/2°  | APPROVED BY                           | DATE  |                    |  |                        |
|  | RAS                                   | 1993/01/07  |                    |  |                        |
| DRAFT WHERE APPLICABLE MUST REMAIN WITHIN DIMENSIONS | MATERIAL NO.                          | DOCUMENT NO.  | SHEET NO.          |  |                        |
|  | SEE CHART                             | SDA-43020-*****   | 1 OF 1             |  |                        |
|  | SIZE D                                | THIS DRAWING CONTAINS INFORMATION THAT IS PROPRIETARY TO MOLEX INCORPORATED AND SHOULD NOT BE USED WITHOUT WRITTEN PERMISSION |                    |  |                        |